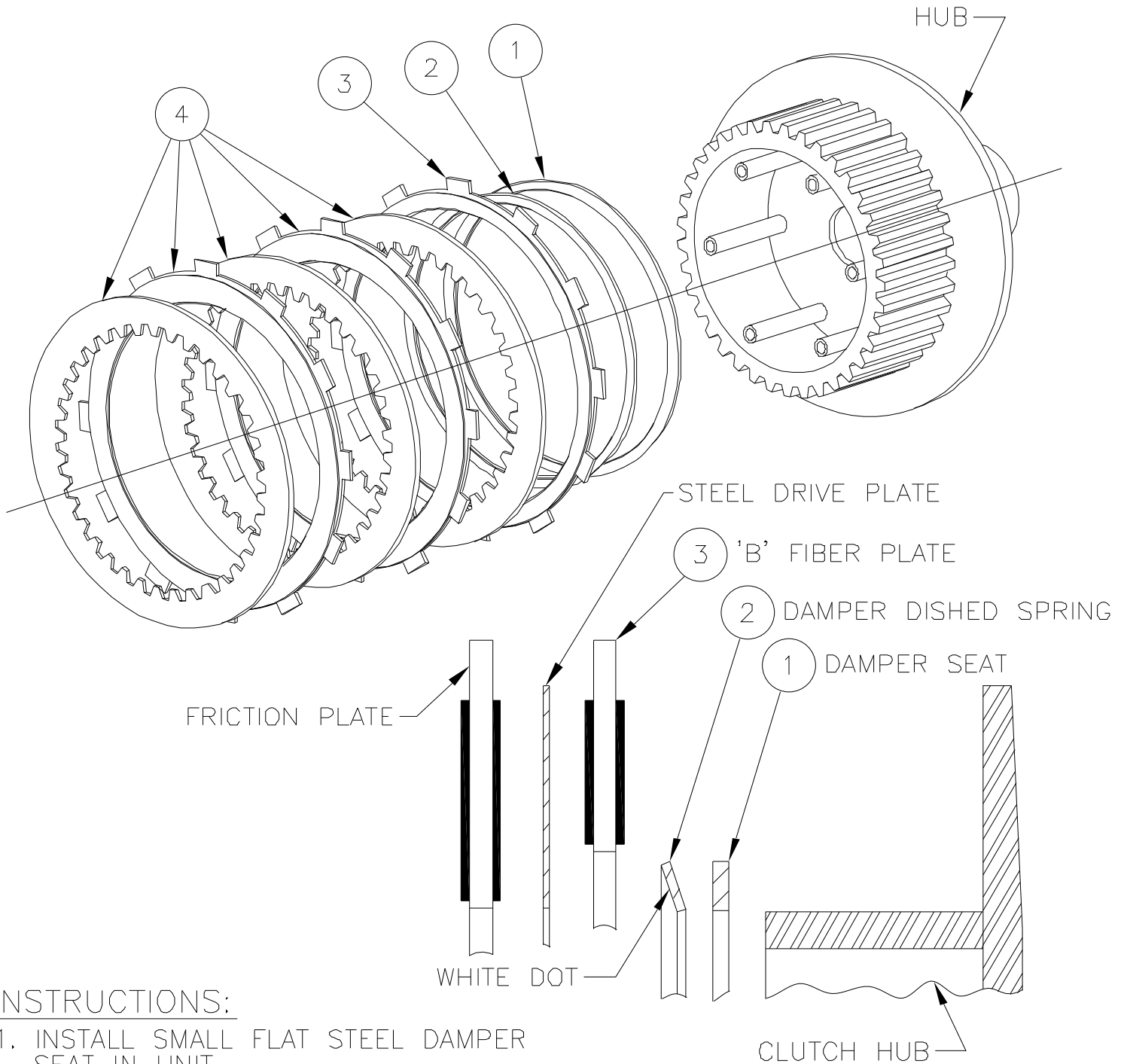


# INSTALLATION OF DAMPER SPRING/SEAT



## INSTRUCTIONS:

1. INSTALL SMALL FLAT STEEL DAMPER SEAT IN UNIT.
2. INSTALL DAMPER DISHED SPRING WITH WHITE DOT FACING OUT.
3. INSTALL 'B' FIBER PLATE.  
( 'B' PLATE HAS LARGER CENTER HOLE )
4. INSTALL A STEEL DRIVE PLATE FOLLOWED BY A FRICITION PLATE. USE THIS PATTERN TO COMPLETE INSTALLATION OF PLATES.
5. INSTALL PRESSURE PLATE AND SPRINGS.

BY  
**Barnett**