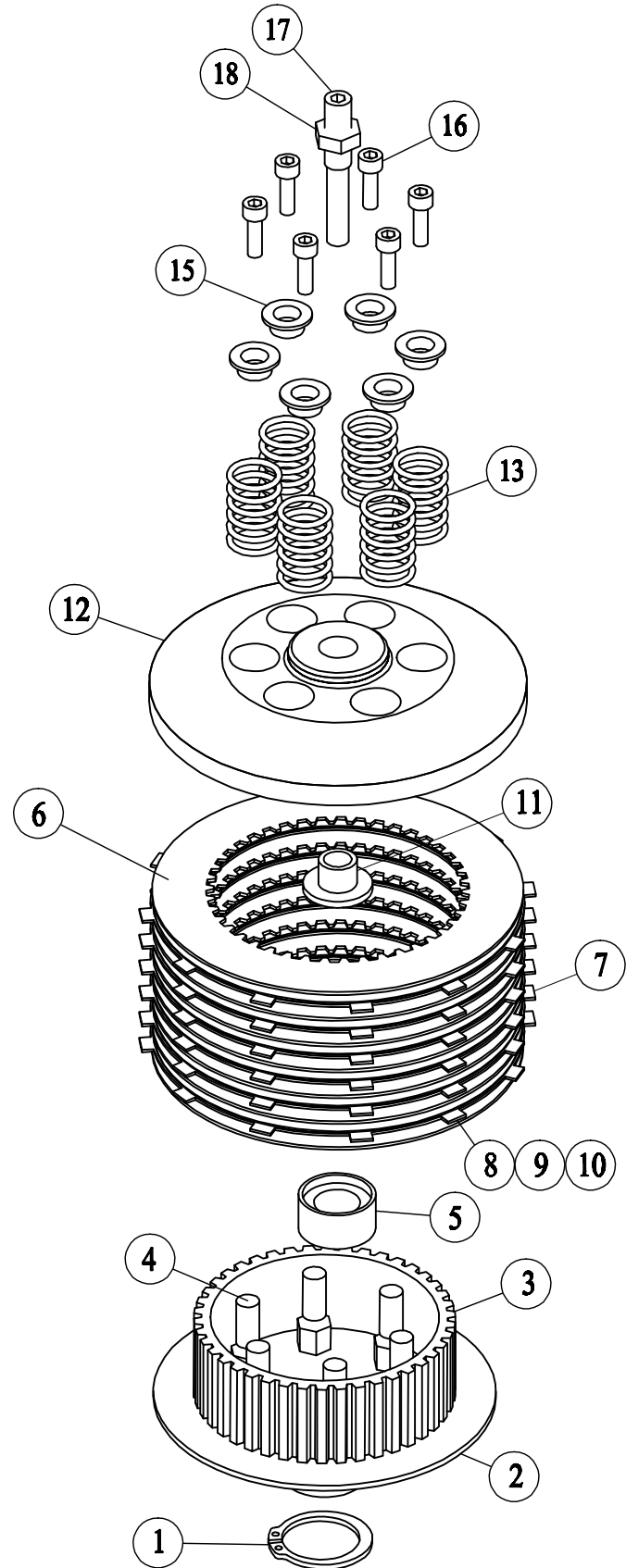


SCORPION BILLET CLUTCH ASSEMBLY PART #608-30-10086



No.	Qty	Part #	Description
1	1	606-30-10111	Snap Ring
2	1	606-30-10302	Clutch Hub
3	1	606-30-10303	Clutch Disk Spline
4	6	606-30-10105	Clutch Mount Stud
5	1	606-30-10305	Long Shaft Spacer
6	7	401-32-051232	Steel Drive Plate
7	5	301-32-40323	Friction Plate
8	1	301-32-41323	Friction "B" Plate
9	1	506-00-21458	Damper Spring
10	1	506-00-22159	Damper Spring Seat
11	1	606-30-10113	Threaded Insert
12	1	606-30-10304	Clutch Pressure Plate
13	6	501-57-01007	Coil Spring - Gold 58#
14	6	501-82-01023	Coil Spring - Green 82#
15	6	519-99-01090	Spring Cup
16	6	606-30-10112	6mm-20mm SHCS
17	1	606-30-10309	Adjustment Screw
18	1	606-30-10114	7/16-20 Jam Nut