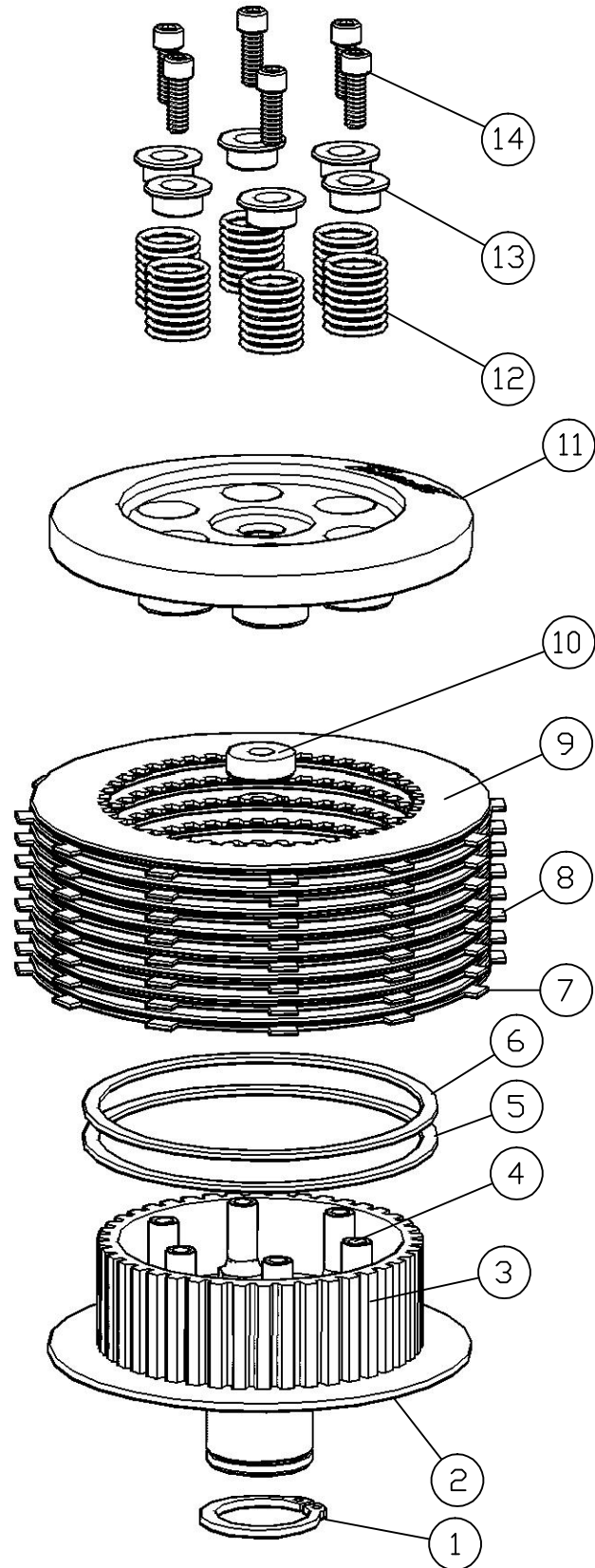


SCORPION BILLET CLUTCH ASSEMBLY PART #607-30-10084



No.	Qty	Part #	Description
1	1	606-30-10612	Snap Ring
2	1	606-30-10602	Clutch Hub
3	1	606-30-10603	Clutch Disk Spline
4	6	606-30-10605	Clutch Mount Stud
5	1	506-00-22459	Damper Spring Seat (Flat)
6	1	506-00-21458	Damper Spring (Dished)
7	1	301-32-41423	Friction "B" Plate
8	7	301-32-40423	Friction Plate
9	8	401-32-041430	Steel Drive Plate
10	1	606-30-10511	Throw Out Bearing
11	1	606-30-10604	Clutch Pressure Plate
12	6	501-68-01033	Clutch Spring-Green 66# @ 3/4
12	6	501-70-01112	Clutch Spring-Silver 70# @ 3/4
12	6	501-80-01113	Clutch Spring-Gold 80# @ 3/4
13	6	519-99-01090	Spring Cup
14	6	606-30-10613	6mm x 1 x 12mm SHCS