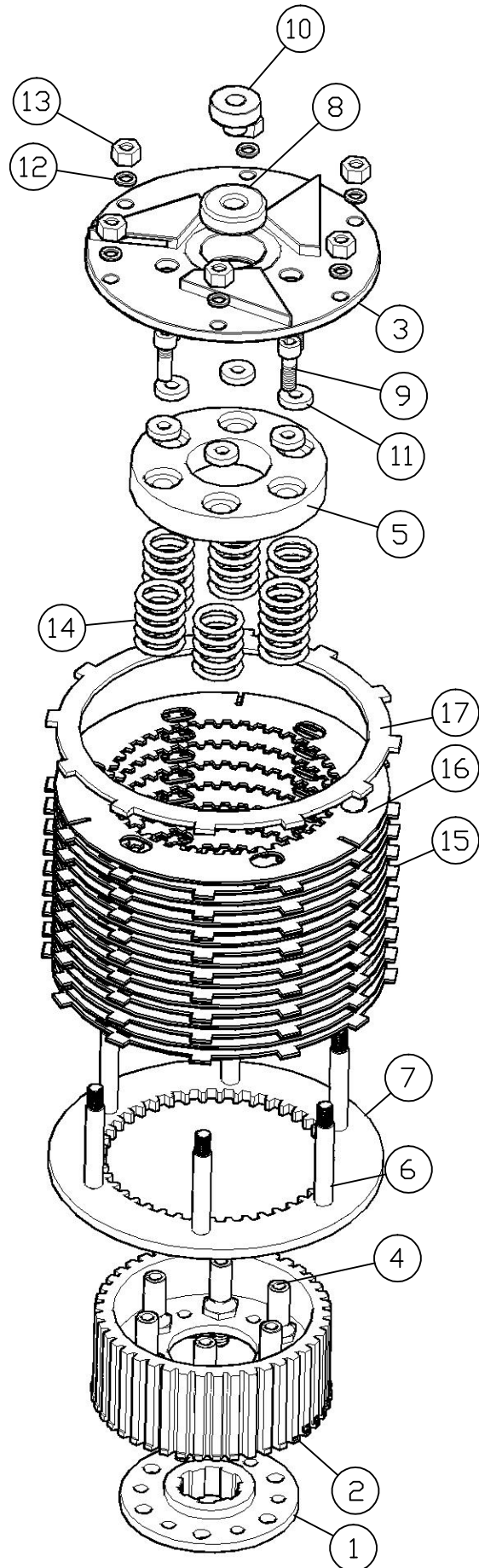


# SCORPION BILLET CLUTCH ASSEMBLY PART #607-30-10071



No.	Qty	Part #	Description
1	1	606-30-10702	Clutch Hub
2	1	606-30-10703	Clutch Disk Spline
3	1	606-30-10704	Clutch Pressure Plate
4	6	606-30-10750	Clutch Mount Stud
5	1	606-30-10706	Spring Retainer Plate
6	1	606-30-10707	Backing Plate Shoulder Stud
7	1	606-30-10708	Backing Plate
8	1	606-30-10511	Throw Out Bearing
9	6	606-30-51616	6mm x 1 x .625 SHCS
10	1	606-30-10713	Sleeve Throw Out Bearing
11	6	606-30-10709	Washer Spring Retainer
12	6	606-30-10710	Pressure Plate Washer
13	6	606-30-10711	1/4-20 Steel Lock Nut
14	6	501-70-01112	Clutch Spring-Silver 70# @ 3/4
14	6	501-80-01113	Clutch Spring-White 80# @ 3/4
14	6	501-90-01128	Clutch Spring-Bare 90# @ 3/4
15	9	301-30-40009	Friction Plate
16	9	401-30-047060	Steel Drive Plate
17	1	301-32-40008	Outer Drive Plate